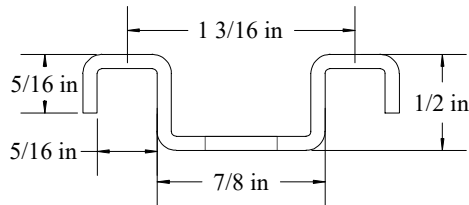
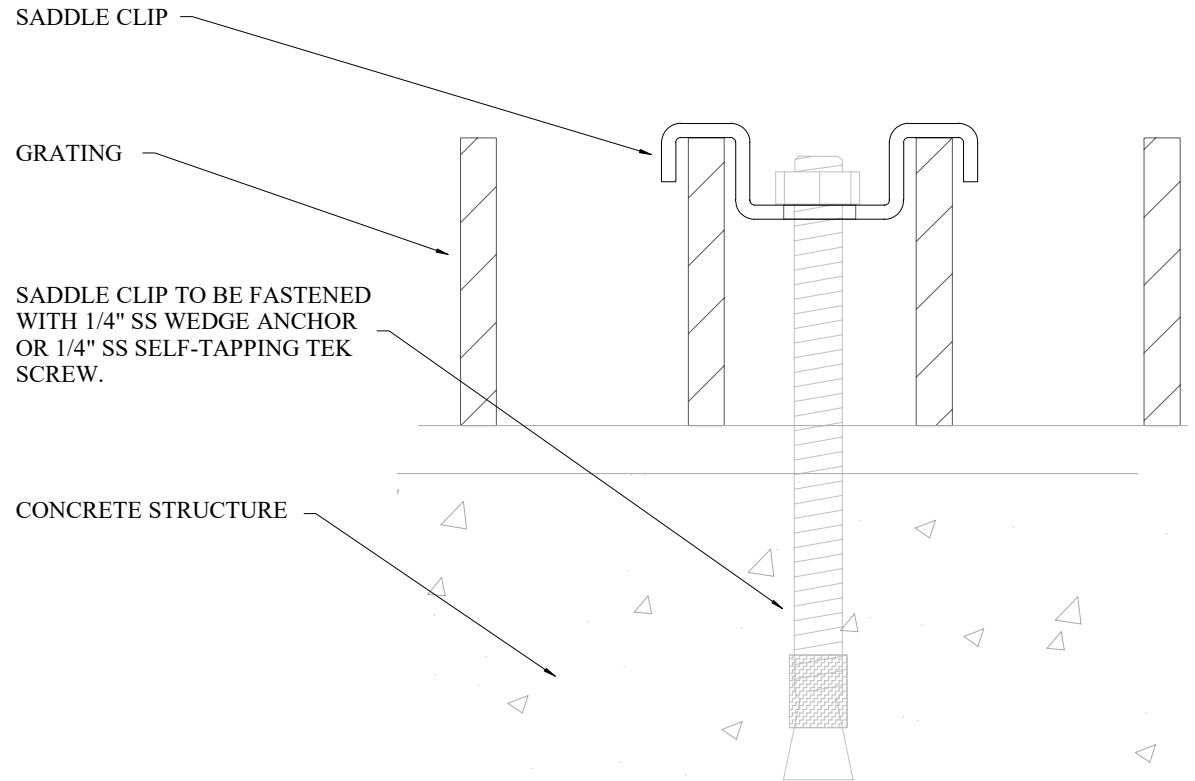


TOP VIEW



SIDE VIEW




INSTALLED VIEW

NOTES:

1. 14g (.074 in) STAINLESS STEEL TYPE 304
2. 1/4 in x 3 1/4 in WEDGE ANCHORS MAY BE SUBSTITUTED WITH 1/4 in x 2 1/2 in STAINLESS SELF-TAPPING TEK SCREWS IF INSTALLING CONTRACTOR PREFERENCES.
4. FASTENERS SHOULD BE INSTALLED AT 24 in MAX CENTERLINE WHEN GRATING IS INSTALLED HORIZONTALLY, AND 18 in MAX CENTERLINE WHEN INSTALLED VERTICALLY.

This CAD file and drawing is the property of Effluent Design & Fabrication, LLC. It is intended for the named recipient. Unauthorized reproduction, disclosure, or distribution is strictly prohibited.

		PO Box 2273 Flemington, NJ 08822
		Phone: 908.458.9220 FAX: 908.458.9930
PROJECT:	FILE #:	SD1236
SADDLE CLIP DETAIL FOR 1 1/2 in & 2 in GRATING	DATE:	8-7-12
	SCALE:	
	DRAWN BY:	KJP