

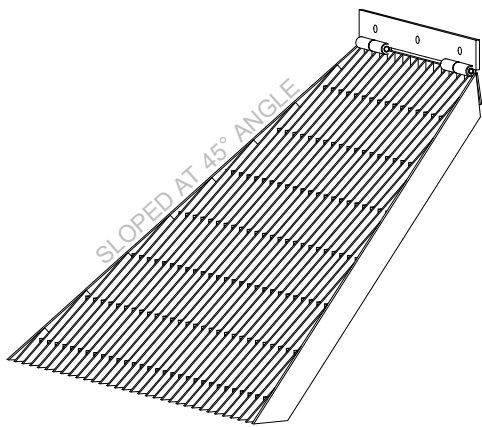
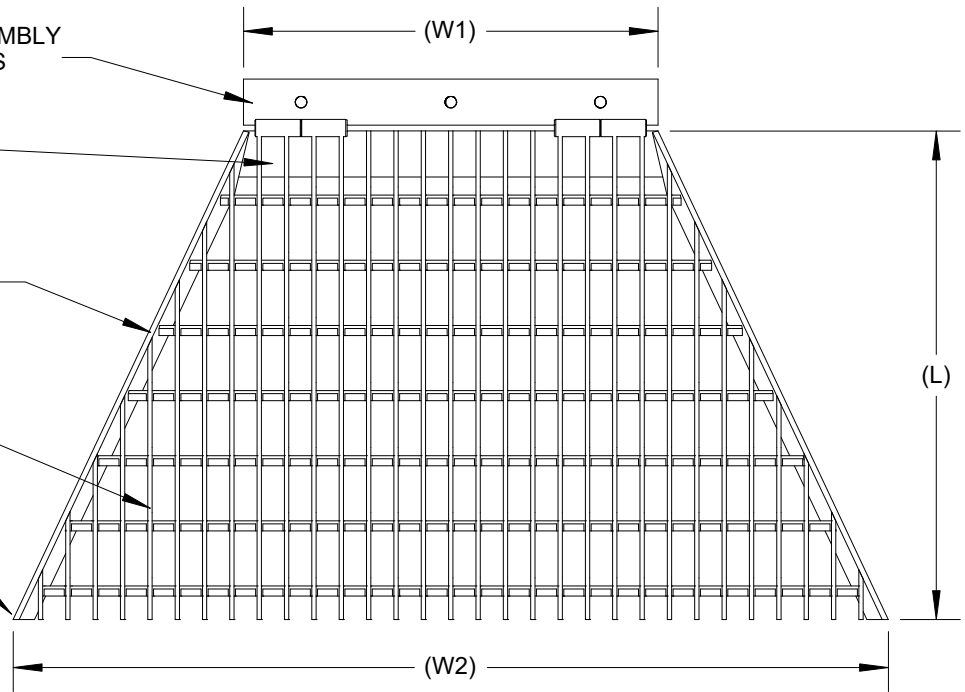
1/4 x 2 in FLAT STOCK HINGE ASSEMBLY WITH ALUMINUM WELD-ON HINGES

1/4 x 2 in FLAT STOCK ON REAR FOR HINGES TO WELD TO

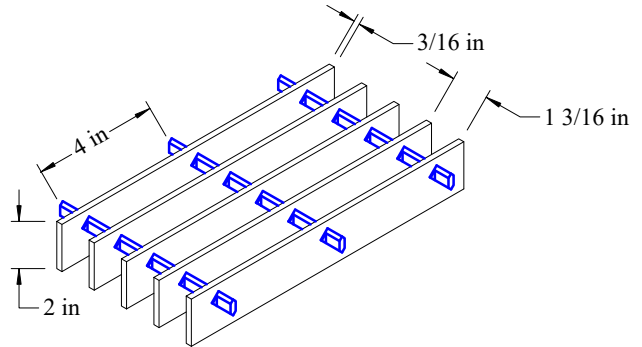
1/4 x 2 in FLAT STOCK TRIM-BAND ON LEFT & RIGHT SIDES ONLY

ALUMINUM GRATING (SEE DETAIL)

TOP & BOTTOM CUT TO 45 DEGREE ANGLE.



ISOMETRIC VIEW



GRATING DETAIL

NOTES:

1. GRATING ONLY IS 6063 ALUMINUM ALLOY.
2. ALL OTHER MATERIALS ADDITIONAL TO GRATING SHALL BE 6061-T6 ALUMINUM ALLOY.
3. RACK HAS OPEN BOTTOM AND SIDES. IT IS DESIGNED TO REST ON CHANNEL, APRON, OR BASIN BOTTOM BETWEEN (2) WING WALLS ON A CONCRETE STRUCTURE.
4. SIDES OF GRATING MAY BE SUPPORTED ON OPTIONAL SUPPORT RAILS OR RECESSED FRAME CAST-IN STRUCTURE BY PRECAST CONCRETE MANUFACTURER. SUPPORT RAILS ARE NOT REQUIRED IF GRATING TOP AND BOTTOM ARE SUPPORTED.
5. FASTEN TO CONCRETE STRUCTURE WITH 3/8 in. x 3 in. STAINLESS STEEL CONCRETE WEDGE ANCHORS AT 18 in. MAX. SPACING. MINIMUM OF (2).
6. OPTIONAL HINGES (SHOWN) ARE ALUMINUM WELD-ON TYPE, 4 in. LONG WITH 3/8 in. STAINLESS PIN SPACED AT 24 in. MAX. SPACING.

This CAD file and drawing is the property of Effluent Design & Fabrication, LLC. It is intended for the named recipient. Unauthorized reproduction, disclosure, or distribution is strictly prohibited.

TRASH RACK INFORMATION	
GRATE WIDTH TOP (W1)	
GRATE WIDTH BOTTOM (W2)	
GRATE LENGTH (L)	
FASTENERS (QTY)	
HINGES REQUIRED?	
SIDE SUPPORT RAILS?	
NOTES:	

	PO Box 2273 Flemington, NJ 08822
	Phone: 908.458.9220 FAX: 908.458.9930
PROJECT: ALUM. WING WALL GRATE SERIES AWWG	FILE #: DATE: SCALE: DRAWN BY: