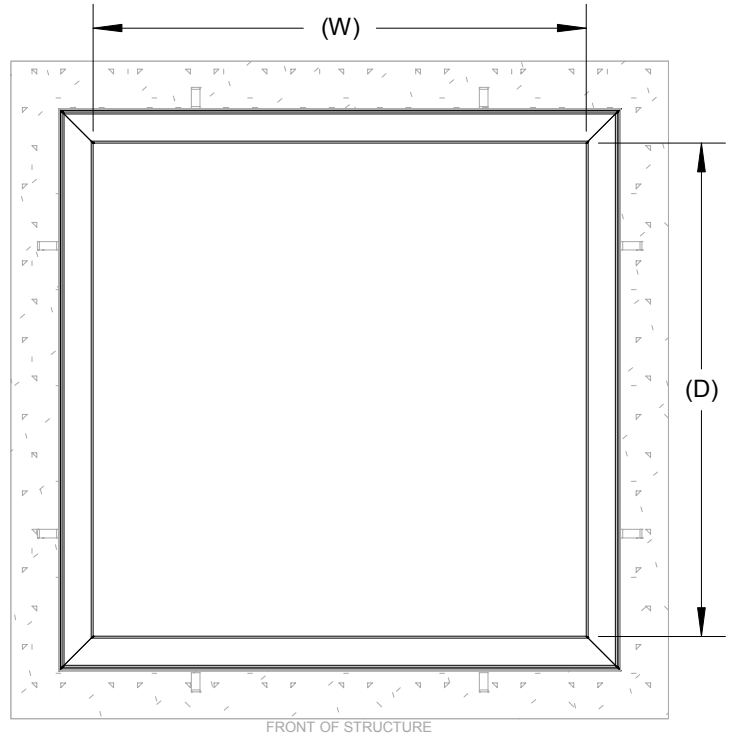
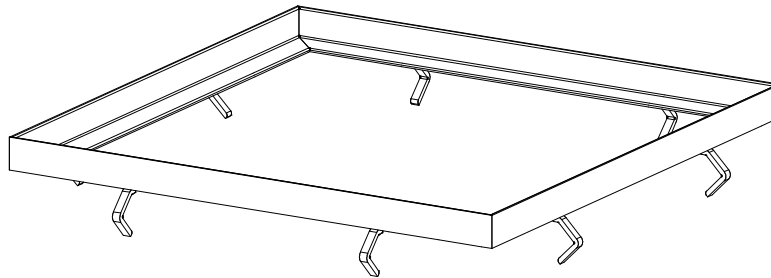


FRAME EMBEDMENT



PLAN VIEW



FRAME ISOMETRIC VIEW

NOTES:

1. ALL MATERIALS TO BE ALUMINUM 6061-T6 ALLOY.
2. IF FRAME IS TO BE CAST-INTO CONCRETE, AN ADDITIONAL 1/4 in. WILL BE ADDED TO FRAME I.D. DURING FABRICATION TO ALLOW CLEARANCE FOR PRECAST CONCRETE FORMS UNLESS SPECIFIED OTHERWISE. EX: 48 in. x 48 in. I.D. WILL BE FABRICATED TO 48 1/4 in. x 48 1/4 in. I.D.
3. IF FRAME IS NOT TO BE CAST-INTO CONCRETE, ANCHORS CAN BE ELIMINATED.
4. ADVISE OF ANY OPENINGS (WEIR OPENINGS) THAT EXTEND TO TOP OF STRUCTURE WALL SO ANCHORS CAN BE PLACED ACCORDINGLY TO AVOID INTERFERENCE WITH OPENINGS.

This CAD file and drawing is the property of Effluent Design & Fabrication, LLC. It is intended for the named recipient. Unauthorized reproduction, disclosure, or distribution is strictly prohibited.

FRAME INFORMATION	
FRAME I.D. (W)	
FRAME I.D. (D)	
STRUCTURE I.D (W)	
STRUCTURE I.D. (D)	
WALL THICKNESS	
CAST-IN FRAME?	
ANCHORS REQUIRED	
WEIR OPENINGS?	
NOTES:	



6 William Martin Way
Flemington, NJ 08822

Phone: 908.458.9220
FAX: 908.458.9930

PROJECT:
ALUMINUM CAST-IN FRAME AF SERIES

FILE #:

DATE:

SCALE:

DRAWN BY: